

# FHR 3L ROTATOR

STATIC LOAD



DYNAMIC LOAD



TORQUE at 25MPa



OILFLOW



WEIGHT



Rotate left/right  
G3/8" Max 250 bar

Grapple open  
G3/8" Max 200 bar

Rotator frame  
L60 ø25

Fast maintenance  
greasing nipple

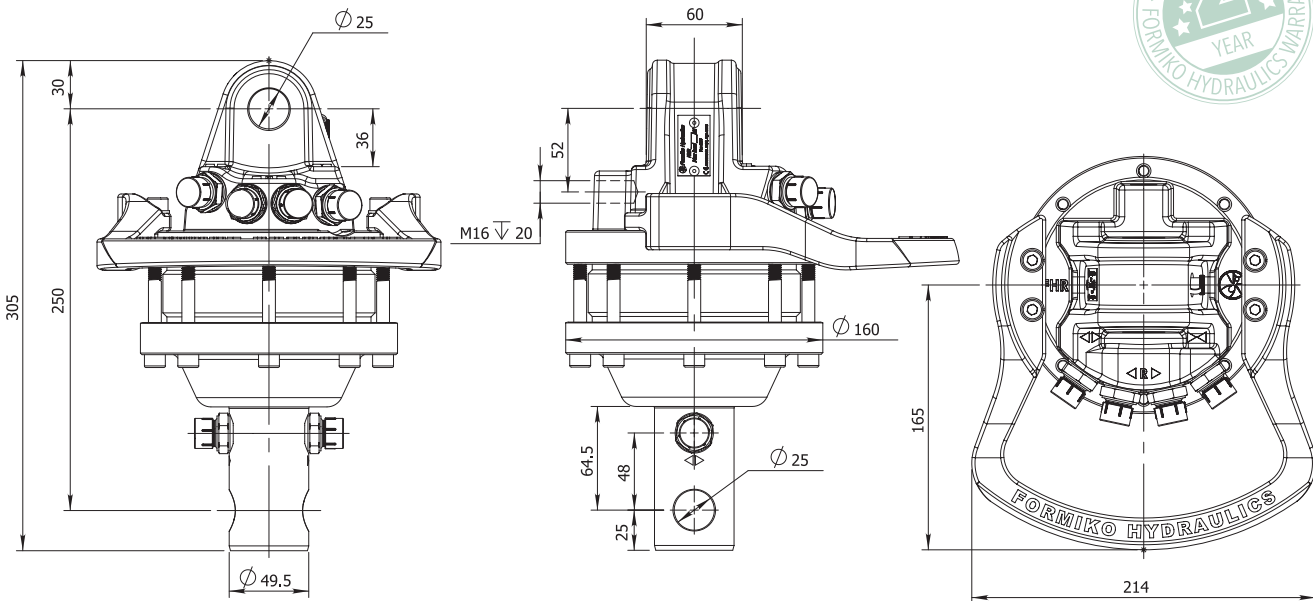
Grapple close  
G3/8"  
Max 300 bar

Iron 4 point  
fitting system  
hose guard

Grapple close  
G3/8"

Reliable ø49.5 steel  
shaft for fitting  
the grapple with  
ø25 pin

Grapple open  
G3/8"



FORESTRY



AGRICULTURE



CONSTRUCTION



GENERAL CARGO



RECYCLING