

FHR 6LD2-78 ROTATOR

STATIC LOAD



DYNAMIC LOAD



TORQUE at 25MPa



OILFLOW



WEIGHT



OPPOSITE HOSE CONNECTION

DOUBLE BEARING

Grapple close
G1/2" Max 300 bar
Grapple open
G1/2" Max 250 bar

Rotator frame
L80 ø35

Rotate left/right
G1/2" Max 250 bar

Rotator designed for intensive professional use and extended long lifetime

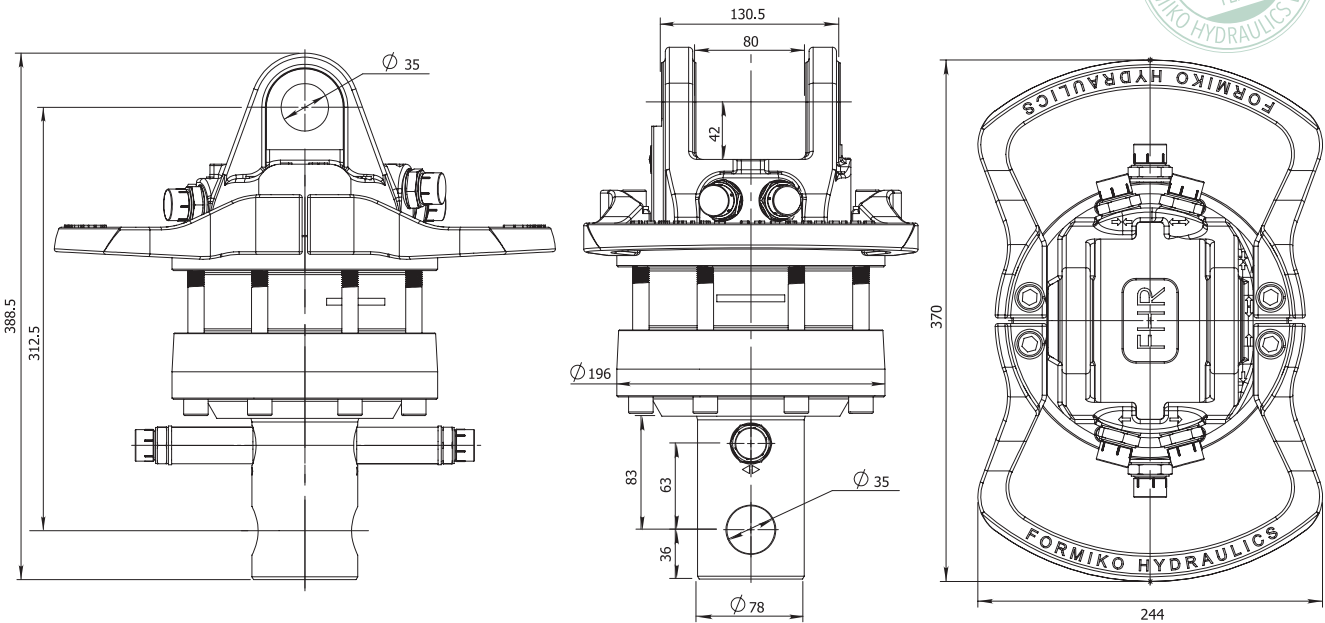
Rotator with two bearings to withstand compression and stretching forces

Grapple close

G1/2"

Reliable ø78 steel shaft for fitting the grapple with ø35 pin

Grapple open
G1/2"



FORESTRY



AGRICULTURE



CONSTRUCTION



GENERAL CARGO



RECYCLING